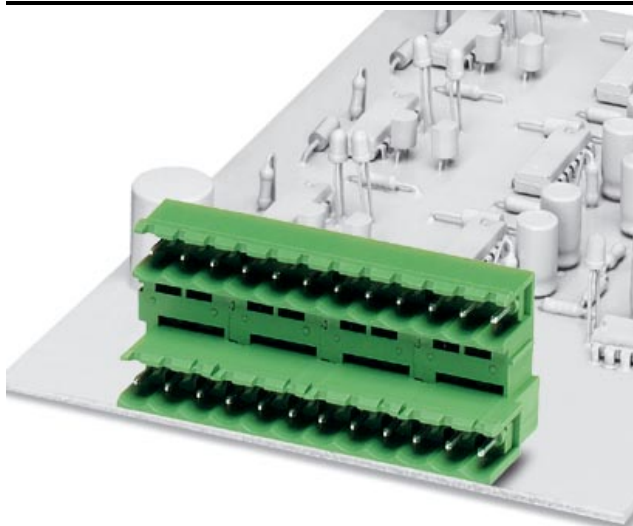


Please note that the data given here has been taken from the online catalog. For comprehensive information and data, please refer to the user documentation at <http://www.download.phoenixcontact.com>. The General Terms and Conditions of Use apply to Internet downloads.

► Extract from the online catalog



Header, nominal current: 10 A, rated voltage: 320 V,
pitch: 5.08 mm, no. of positions: 2, mounting:
Soldering

The illustration shows a 12-position version

Order No.	1762062
Ord designation	MDSTB 2,5/ 2-G-5,08
EAN	4017918030988
Pack	50 Pcs.
Customs tariff	85369010
Catalog page information	Page 172 (CC-2005)

► Technical data

Dimensions / positions

Pitch	5.08 mm
Dimension a	5.08 mm
Number of positions	2
Pin dimensions	1 x 1 mm
Hole diameter	1.4 mm

Technical data

Insulating material group	I
Rated surge voltage (III/3)	4 kV
Rated surge voltage (III/2)	4 kV
Rated surge voltage (II/2)	4 kV
Rated voltage (III/2)	320 V
Rated voltage (II/2)	630 V
Connection in acc. with standard	EN-VDE
Nominal current I_N	10 A
Nominal voltage U_N	320 V
Maximum load current	10 A
Insulating material	PBT
Inflammability class acc. to UL 94	V0

► Certificates

CSA

Nominal voltage U_N	300 V
Nominal current I_N	10 A

CUL

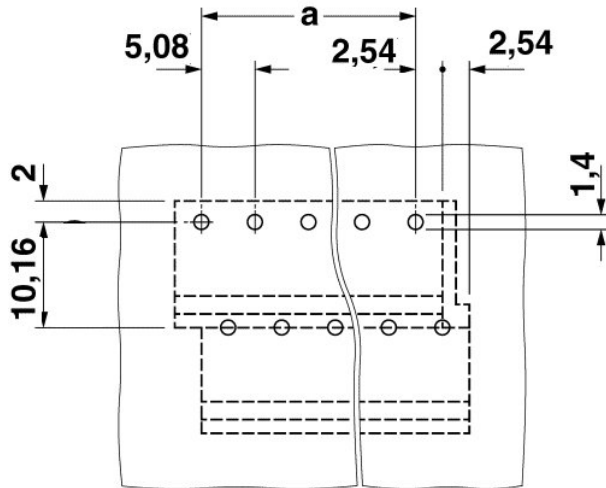
Nominal voltage U_N	300 V
Nominal current I_N	10 A
Nominal voltage U_N	250 V
Nominal current I_N	15 A

UL

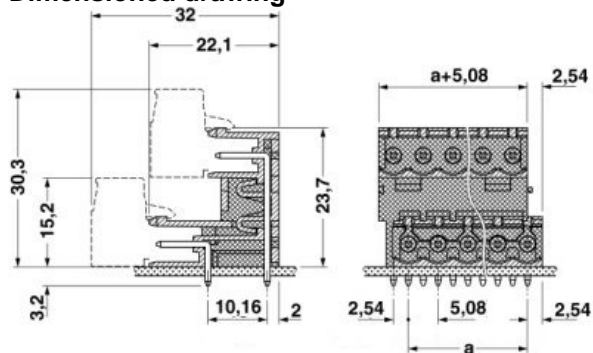
Nominal voltage U_N	300 V
Nominal current I_N	10 A
Nominal voltage U_N	250 V
Nominal current I_N	15 A

► Drawings

Drilling diagram



Dimensioned drawing



Approval logo



► Accessories

Item	Designation	Description
Assembly		
1806588	MDSTB 2,5-AS	Ejectors, for assembly on each side of the header
1786679	MDSTB-SE	Side element, for lateral sealing of MSTB headers, 2.54 mm thick, color: Green
1755477	MSTB-BL	Keying cap, for forming sections, plugs onto header pin, green insulating material
General		
1736771	MDSTB 2,5/ 2-GFL-5,08	Header, nominal current: 10 A, rated voltage: 320 V, pitch: 5.08 mm, no. of positions: 2, mounting: Soldering
1736768	MDSTB 2,5/ 2-GFR-5,08	Header, nominal current: 10 A, rated voltage: 320 V, pitch: 5.08 mm, no. of positions: 2, mounting: Soldering
Marking		
0804293	SK 5,08/3,8:FORTL.ZAHLEN	Marker card, printed horizontally, self-adhesive, 12 identical decades marked 1-10, 11-20 etc. up to 91-(99)100, sufficient for 120 terminal blocks
Plug/Adapter		
1734401	CR-MSTB	Coding element, inserted into the recess in the header or the inverted plug, red insulating material



► **Additional products**

Item	Designation	Description
------	-------------	-------------

General

1872693	A-ICV 2,5/ 2-G-5,08	Header, nominal current: 12 A, rated voltage: 250 V, pitch: 5.08 mm, no. of positions: 2, mounting: Mounting rail
1873058	FKC 2,5/ 2-ST-5,08	Plug component, nominal current: 12 A, rated voltage: 250 V, pitch: 5.08 mm, no. of positions: 2, type of connection: Spring-cage connection
1873207	FKC 2,5/ 2-STF-5,08	Plug with screw flange, nominal current: 12 A, rated voltage: 250 V, pitch: 5.08 mm, no. of positions: 2, type of connection: Spring-cage connection
1902110	FKCT 2,5/ 2-ST-5,08	Plug component, nominal current: 12 A, rated voltage: 250 V, pitch: 5.08 mm, no. of positions: 2, type of connection: Spring-cage connection
1902301	FKCT 2,5/ 2-STF-5,08	Plug component, nominal current: 12 A, rated voltage: 250 V, pitch: 5.08 mm, no. of positions: 2, type of connection: Spring-cage connection
1873951	FKCVR 2,5/ 2-ST-5,08	Plug component, nominal current: 12 A, rated voltage: 250 V, pitch: 5.08 mm, no. of positions: 2, type of connection: Spring-cage connection
1874109	FKCVR 2,5/ 2-STF-5,08	Plug component, nominal current: 12 A, rated voltage: 250 V, pitch: 5.08 mm, no. of positions: 2, type of connection: Spring-cage connection
1873650	FKCVW 2,5/ 2-ST-5,08	Plug component, nominal current: 12 A, rated voltage: 250 V, pitch: 5.08 mm, no. of positions: 2, type of connection: Spring-cage connection
1873809	FKCVW 2,5/ 2-STF-5,08	Plug component, nominal current: 12 A, rated voltage: 250 V, pitch: 5.08 mm, no. of positions: 2, type of connection: Spring-cage connection
1777280	FRONT-MSTB 2,5/ 2-ST-5,08	Plug component, nominal current: 12 A, rated voltage: 320 V, pitch: 5.08 mm, no. of positions: 2, type of connection: Screw connection
1777808	FRONT-MSTB 2,5/ 2-STF-5,08	Plug with screw flange, nominal current: 12 A, rated voltage: 320 V, pitch: 5,08 mm, no. of positions: 2, type of connection: Screw connection
1786404	IC 2,5/ 2-G-5,08	Header, nominal current: 12 A, rated voltage: 250 V, pitch: 5.08 mm, no. of positions: 2, mounting: Soldering
1785942	ICV 2,5/ 2-G-5,08	Header, nominal current: 12 A, rated voltage: 250 V, pitch: 5.08 mm, no. of positions: 2, mounting: Soldering
1757019	MSTB 2,5/ 2-ST-5,08	Plug component, nominal current: 12 A, rated voltage: 250 V, pitch: 5.08 mm, no. of positions: 2, type of connection: Screw connection
1777989	MSTB 2,5/ 2-STF-5,08	Plug with screw flange, nominal current: 12 A, rated voltage: 250 V, pitch: 5,08 mm, no. of positions: 2, type of connection: Screw connection
1808816	MSTBC 2,5/ 2-ST-5,08	Plug component, nominal current: 12 A, rated voltage: 320 V, pitch: 5.08 mm, no. of positions: 2, type of connection: Crimp connection
1809501	MSTBC 2,5/ 2-STZ-5,08	Plug component, nominal current: 12 A, rated voltage: 320 V, pitch: 5.08 mm, no. of positions: 2, type of connection: Crimp connection
1809734	MSTBC 2,5/ 2-STZF-5,08	Plug component, nominal current: 12 A, rated voltage: 320 V, pitch: 5.08 mm, no. of positions: 2, type of connection: Crimp connection

MDSTB 2,5/ 2-G-5,08



1769010	MSTBP 2,5/ 2-ST-5,08	Plug component, nominal current: 12 A, rated voltage: 250 V, pitch: 5.08 mm, no. of positions: 2, type of connection: Screw connection
1779987	MSTBT 2,5/ 2-ST-5,08	Plug component, nominal current: 12 A, rated voltage: 250 V, pitch: 5.08 mm, no. of positions: 2, type of connection: Screw connection
1805301	MSTBT 2,5/ 2-STF-5,08	Plug with T-shape and screw flange, nominal current: 12 A, rated voltage: 250 V, pitch: 5.08 mm, no. of positions: 2, type of connection: Screw connection
1792249	MVSTBR 2,5/ 2-ST-5,08	Plug component, nominal current: 12 A, rated voltage: 250 V, pitch: 5.08 mm, no. of positions: 2, type of connection: Screw connection
1835096	MVSTBR 2,5/ 2-STF-5,08	Plug with screw flange, nominal current: 12 A, rated voltage: 250 V, pitch: 5,08 mm, no. of positions: 2, type of connection: Screw connection
1792757	MVSTBW 2,5/ 2-ST-5,08	Plug component, nominal current: 12 A, rated voltage: 250 V, pitch: 5.08 mm, no. of positions: 2, type of connection: Screw connection
1834903	MVSTBW 2,5/ 2-STF-5,08	Plug component, nominal current: 12 A, rated voltage: 250 V, pitch: 5.08 mm, no. of positions: 2, type of connection: Screw connection
1917901	QC 0,75/ 2-ST-5,08	Plug components, 5.08 mm pitch, color: green, no. of positions 2, dimension a 5.08 mm
1918081	QC 0,75/ 2-STF-5,08	Plug components, 5.08 mm pitch, color: green, no. of positions 2, dimension a 5.08 mm
1883255	QC 1/ 2-ST-5,08	Plug component, nominal current: 10 A, rated voltage: 250 V, pitch: 5.08 mm, no. of positions: 2, type of connection: Insulation displacement connection QUICKON
1883352	QC 1/ 2-STF-5,08	Plug component, nominal current: 10 A, rated voltage: 250 V, pitch: 5.08 mm, no. of positions: 2, type of connection: Insulation displacement connection QUICKON
1826283	SMSTB 2,5/ 2-ST-5,08	Plug component, nominal current: 12 A, rated voltage: 250 V, pitch: 5.08 mm, no. of positions: 2, type of connection: Screw connection
1853010	TMSTBP 2,5/ 2-ST-5,08	Plug component, nominal current: 12 A, rated voltage: 250 V, pitch: 5.08 mm, no. of positions: 2, type of connection: Screw connection
1853104	TMSTBP 2,5/ 2-STF-5,08	Plug component, nominal current: 12 A, rated voltage: 250 V, pitch: 5.08 mm, no. of positions: 2, type of connection: Screw connection

► Address

PHOENIX CONTACT GmbH & Co. KG
Flachsmarktstr. 8
32825 Blomberg
Germany
Phone +49 5235 3 00
Fax +49 5235 3 41200
<http://www.phoenixcontact.com>
Phoenix Contact
Technical modifications reserved;